

HL2003 Series Thermostats

General

The HL2003 series thermostats are stand-alone microprocessor based thermostats with LCD display. The thermostats are designed to on/off control the fans, valves, dampers or electric heaters in fan coil units and heating applications.

Models are available for heating/cooling/ventilating control of 2-pipe or 4-pipe fan coil units.

The fan speed can be manually controlled by the fan speed control pushbutton. It is wired to run high/medium/low speed continuously or to automatically change the fan speed.



Features

- Attractive modern styling makes this thermostat ideal for locating in the occupied space
- Digital LCD display of room ambient temperature and user selected temperature setting on demand
- Adjustable heating/cooling/ventilating mode control
- Adjustable manual 3-speed or automatic fan speed control and on/off control output for valve
- Infrared remote control available(optional)
- Backlight function available(optional)
- Thermostat mounted directly onto a wall or standard junction box
- Model available for 120, 230 VAC power input also
- Reliable DC power supply by transformer
- Reliable output by relays

Model Definitions

HL2003 -

F: Control fan coil to turn on/off and change the fan speed.

DA: Control fan-coil and valve. When room temperature reaches the set-point, it will close the valve with the fan coil still running.

DB: Control fan-coil and valve. When room temperature reaches the set-point, it will close the valve and turn off the fan coil.

Y: Control electric diffuser or damper to open or close.

H: Control Heating Equipment.

R: Infrared remote control. Blank means it's disabled.

Main Functions

Cool/Heat Change Control

Manual/Auto Fan Speed Changeover

Room Temperature Setting

Low Temperature Protection

Detect and Display Room Temperature

Remote Control (Optional)

Specifications

Sensor: NTC

Power Consumption: < 2W

Set-point Range: 5 ~ 35

Power Supply: 220V(or any other volt.) \pm 15%, 50/60Hz

Accuracy: \pm 1

Dimension: 86 x 86 x 13mm (W x H x D)

Max Load:

Hole Pitch: 60 mm

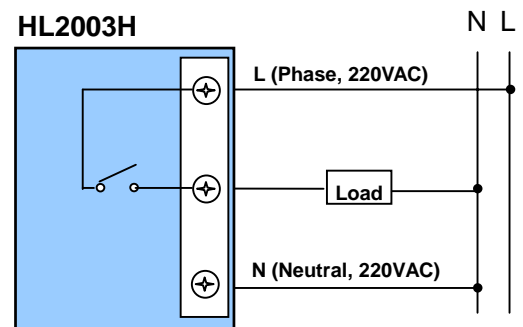
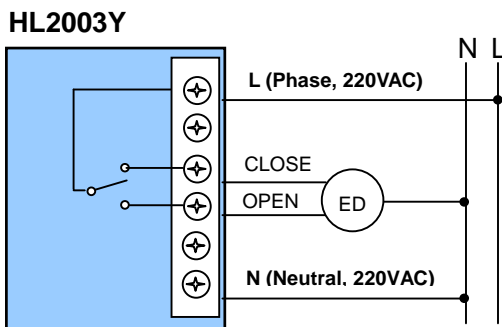
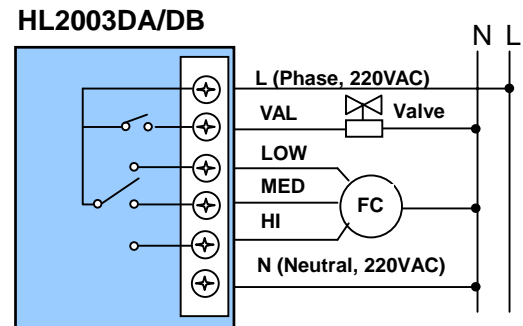
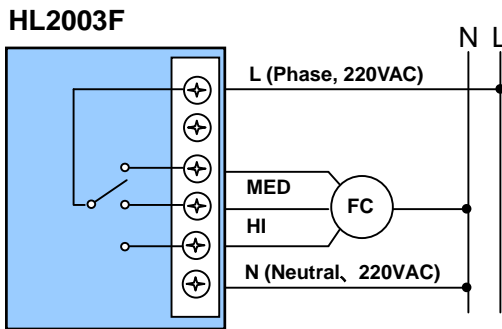
Fan Coil: < 150W

Shell: Fire retardant PC ABS

Heating Equipment: < 2.5KW

Display: LCD (53 x 36mm)

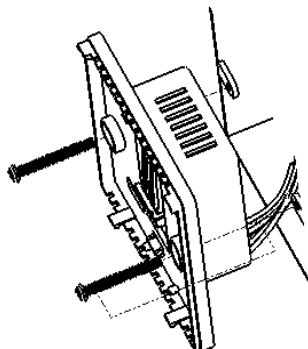
Wiring diagrams



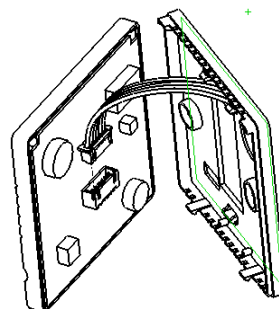
Installations



Cover Removing



Wiring and Base Mounting



Cable Installation



Cover Fixing