

The TI series has interchangeable cages capable of changing valve capacity in the field.

Features

- Stainless steel power element eliminates corrosion and prevents valve failure
- Wrench flats on inlet and outlet
- Forged brass valve body
- Inlet strainer assembly



Options

- Interchangeable capacity cages

Specifications

- Inlet connection size: 3/8" SAE, Outlet 1/2" SAE
- Maximum working pressure: 652 psig
- Maximum bulb temperature: 165°F

Nomenclature example: TIE4 HW

| TI | E | 4 | H | W |
|---------------------|-----------------------------------|---|---|---|
| Valve Series | Equalizer | Orifice Size | Refrigerant Code | Charge Code |
| | E=External (Omit for internal) | Valves sold less cage (Select proper cage from interchangeability table below) | <ul style="list-style-type: none"> • H = R-22 • M = R-134a • N = R-407C *P = R-507 *S = R-404A | W = medium temp W(MOP) = press. limiting |

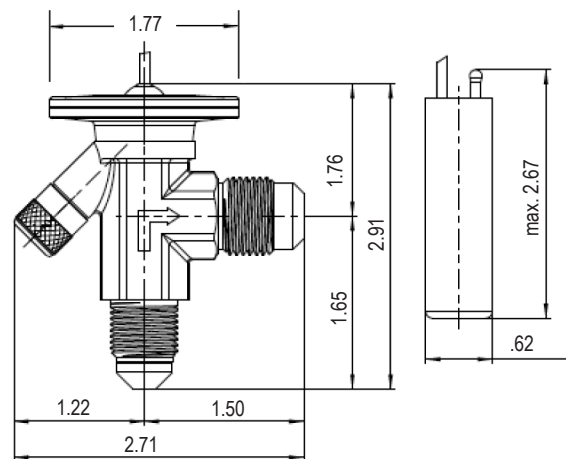
* = R-507 and R-404a are interchangeable refrigerant charges
 • = R-22 and R-407C are interchangeable refrigerant charges

Interchangeable Cages

| Cage Size | Type | PCN | Nominal Capacity (kW) | | |
|-----------|---------|--------|-----------------------|-------------|--------------|
| | | | R-134a | R-22/R-407C | R-404A/R-507 |
| 00 | TIO-00X | 065087 | 0.03 | 0.05 | 0.04 |
| 0 | TIO-000 | 065088 | 0.08 | 1.30 | 1.00 |
| 1 | TIO-001 | 065090 | 1.90 | 3.20 | 2.30 |
| 2 | TIO-002 | 065091 | 3.10 | 5.30 | 3.90 |
| 3 | TIO-003 | 065092 | 5.00 | 8.50 | 6.20 |
| 4 | TIO-004 | 065093 | 8.30 | 13.90 | 10.10 |
| 5 | TIO-005 | 065094 | 10.10 | 16.90 | 12.30 |
| 6 | TIO-006 | 065095 | 11.70 | 19.50 | 14.20 |

NOTE: Nominal capacities shown on pages at the end of this section are based on European standards of +38°C condensing temperature, +4°C evaporating temperature and 1°K liquid subcooling at the inlet of the expansion valve. This methodology varies from the rest of the capacity tables in this catalog.

Dimensional Data (in)



TI(E) Series – Valve bodies, Flare type

| Evaporating Temp Range °F | Refrigerant | | | | | | |
|---------------------------|----------------|--------|--------|-------------|--------|--------------|--------|
| | Equalizer Type | R-134a | | R-22/R-407C | | R-404A/R-507 | |
| | | Valve | PCN | Valve | PCN | Valve | PCN |
| -10 to +40 | internal | TI-MW | 066387 | TI-HW | 066389 | TI-SW | 066391 |
| | external | TIE-MW | 066388 | TIE-HW | 066390 | TIE-SW | 066392 |